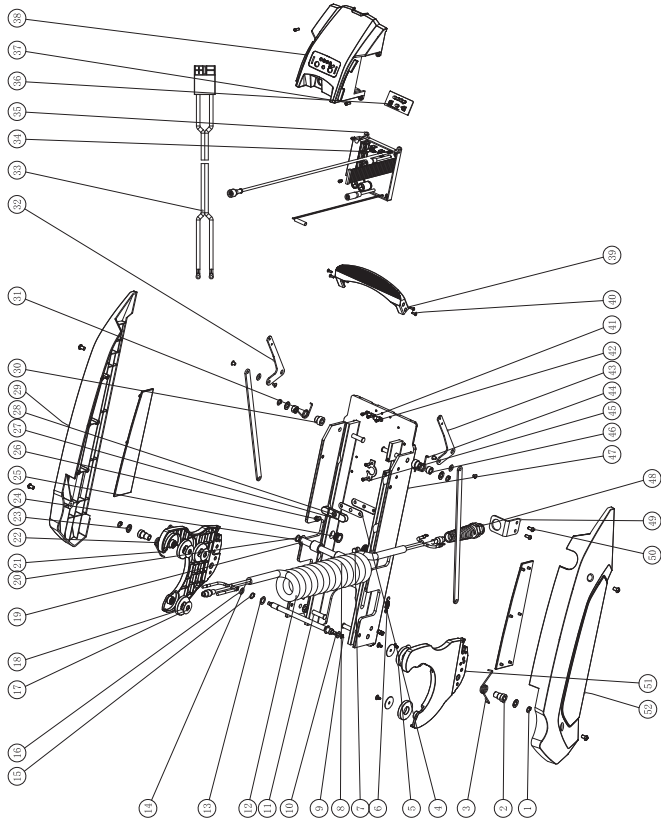
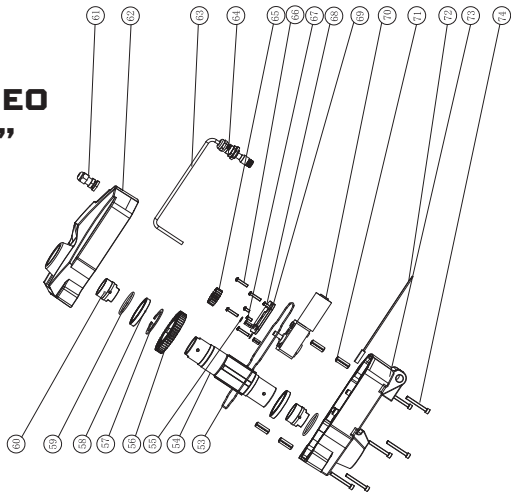


SCHEMATICS AND PARTS LIST



**55317
WATERSNAKE GEO
SPOT 80LB / 66"
MODEL**



**TO ORDER
YOUR WATERSNAKE
STEALTH PARTS, VISIT:
www.anglerscentral.com.au**

PART NO.

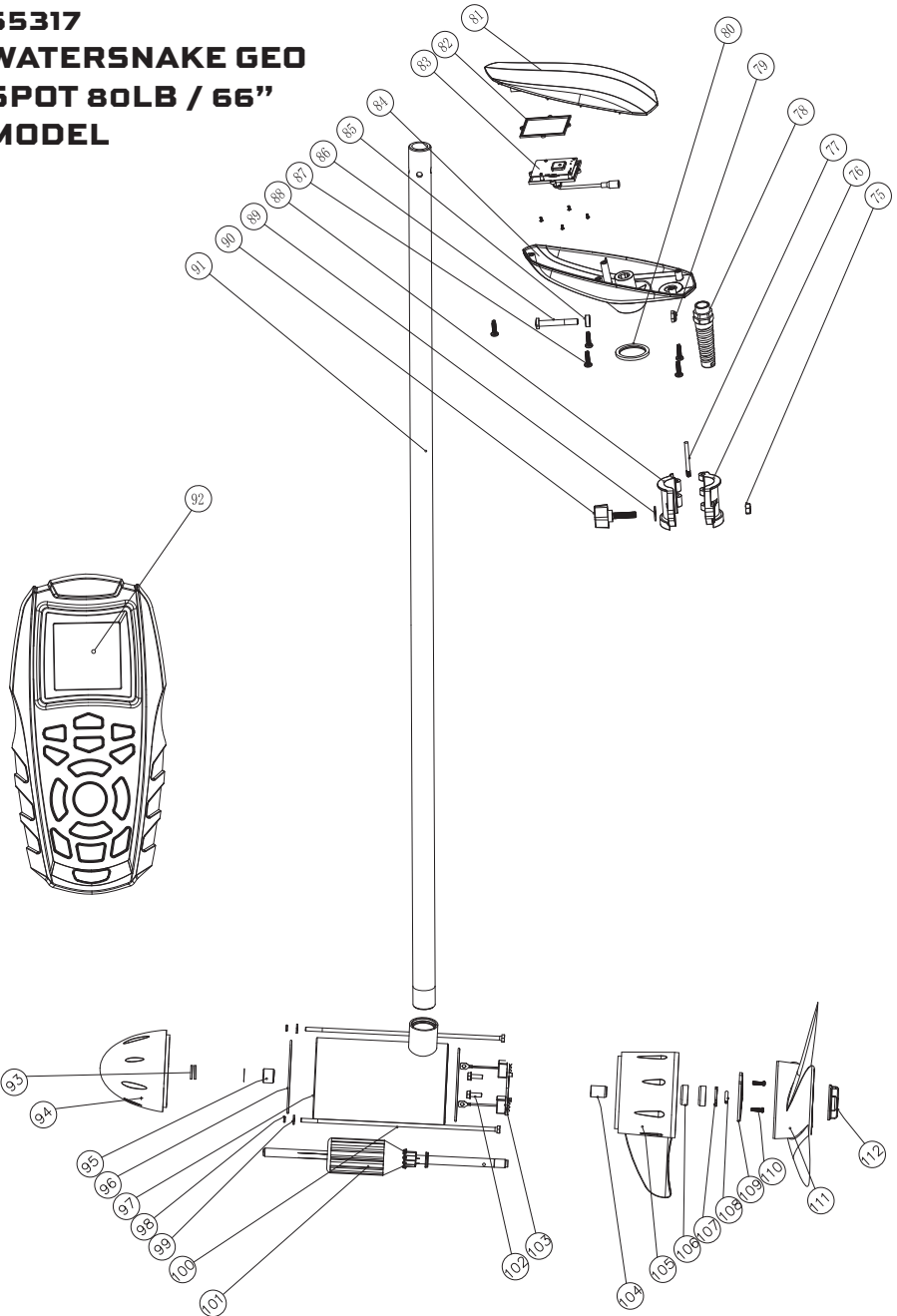
51	HP6. 154. 021. 000	Right movable plate assembly	1
50	HP8. 902. 198. 000	Screw	2
49	HP8. 611. 221. 000	Fixed frame	1
48	HP8. 354. 019. 000	Cable gland	1
47	HP8. 601. 093. 024	Bottom plate	1
46	HP8. 223. 124. 000	bushing	2
45	HP8. 667. 044. 000	Securing clip	1
44	HP8. 383. 127. 000	Left torsion spring	1
43	HP6. 201. 047. 000	Right link assembly	1
42	HP8. 902. 017. 000	screw	3
41	HP8. 610. 193. 000	Pressure plate	1
40	HP8. 902. 201. 045	Screw M3X8	4
39	HP8. 335. 002. 000	pedal	1
38	HP8. 010. 146. 8000	The front cover	1
37	HP8. 902. 193. 045	Screw	6
36	HP6. 672. 187. 000	Display board assembly	1
35	HP6. 702. 160. 000	Drive controller	1
34	HP8. 902. 024. 000	Screw	3
33	HP6. 647. 252. 000	Power cord assembly	1
32	HP6. 201. 046. 000	Left link assembly	1
31	HP8. 383. 128. 000	Right twist	1
30	HP8. 211. 022. 000	Crank sleeve	2
29	HP6. 176. 032. 008	Left panel assembly	1
28	HP8. 902. 559. 000	Screw	1
27	HP8. 683. 041. 000	Elastic cushion	1
26	HP8. 902. 384. 000	Screw	4
25	HP8. 211. 004. 000	Nested	2
24	HP8. 247. 192. 000	Elastic retaining ring for shaft	2
23	HP8. 941. 373. 000	washer	6
22	HP6. 154. 020. 000	Left movable plate assembly	1
21	HP8. 383. 218. 000	Left-handed torsion spring	1
20	HP8. 941. 306. 000	Gasket	2
19	HP8. 303. 043. 000	Axis of rotation	1
18	HP8. 940. 871. 000	Was	6
17	HP8. 903. 219. 000	Screw	6
16	HP8. 940. 056. 000	Transmission gear washers	2
15	HP8. 247. 190. 000	Elastic retaining ring for shaft	2
14	HP6. 647. 290. 000	Spiral component	1
13	HP8. 940. 625. 000	Flat Washers	2
12	HP8. 264. 820. 000	Cylindrical pin	2
11	HP8. 264. 819. 000	pin	4
10	HP8. 306. 129. 000	axis	1
9	HP8. 247. 191. 000	Elastic retaining ring for shaft	2
8	HP8. 223. 123. 000	bushing	2
7	HP8. 530. 119. 006	magnetic steel	1
6	HP8. 381. 059. 000	Tension spring	2
5	HP8. 245. 214. 000	Brushed damping wheel	6
4	HP8. 941. 178. 000	Gasket	1
3	HP8. 383. 219. 000	Right-handed torsion spring	1
2	HP8. 220. 494. 000	Positioning sleeve	2
1	HP8. 247. 172. 000	Circlip	4
NO.	DRAWING NO.	PART NAME	QTY

PART NO.

74	HP8. 902. 544. 000	Screw	6
73	HP8. 010. 150. 158	Steering box lower cover	1
72	HP7. 330. 024. 000	Proximity switch	1
71	HP8. 264. 817. 000	Elastic cylindrical pin	4
70	HP6. 714. 032. 000	Steering motor	1
69	HP8. 610. 424. 024	Fixed plate	1
68	HP8. 902. 571. 000	Screw	3
67	HP8. 264. 818. 000	Elastic cylindrical pin	2
66	HP8. 902. 199. 045	Screw	4
65	HP8. 435. 797. 000	gear	1
64	HP8. 354. 032. 000	Waterproof connector	1
63	HP6. 647. 286. 000	4-core assembly	1
62	HP8. 010. 151. 158	Steering box upper cover	1
61	HP8. 354. 029. 000	Waterproof connector	1
60	HP8. 210. 450. 000	bushing	2
59	HP8. 662. 145. 000	O-ring	2
58	HP6. 263. 067. 002	Bearing	2
57	HP8. 247. 193. 000	Circlip for shaft	1
56	HP8. 415. 193. 000	gear	1
55	HP8. 940. 673. 000	Flat Washers	2
54	HP8. 211. 005. 027	casing	1
53	HP8. 662. 175. 000	O-ring	1
52	HP6. 176. 033. 008	Right side panel assembly	1

SCHEMATICS AND PARTS LIST

55317 WATERSNAKE GEO SPOT 80LB / 66" MODEL

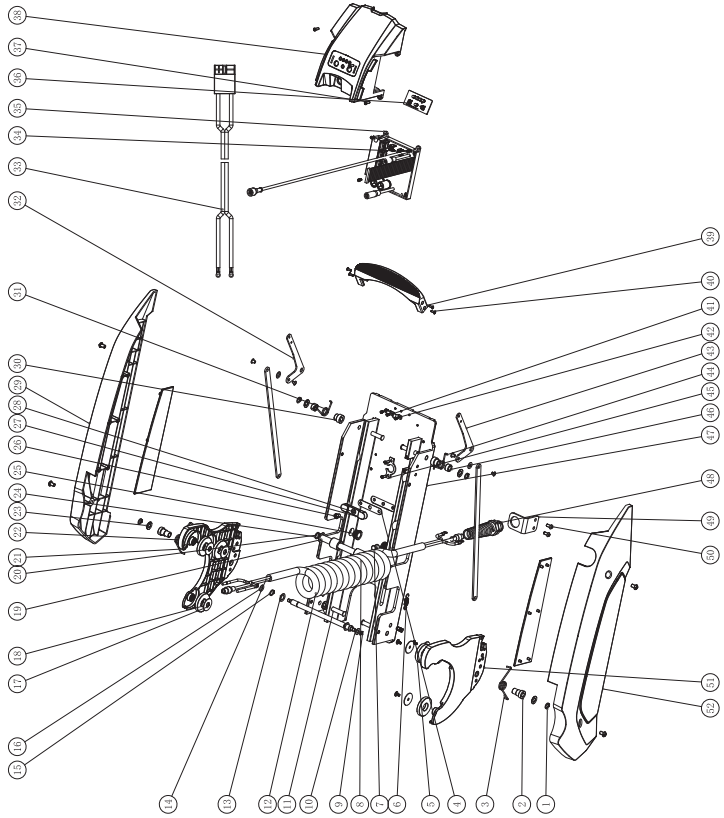


PART NO.

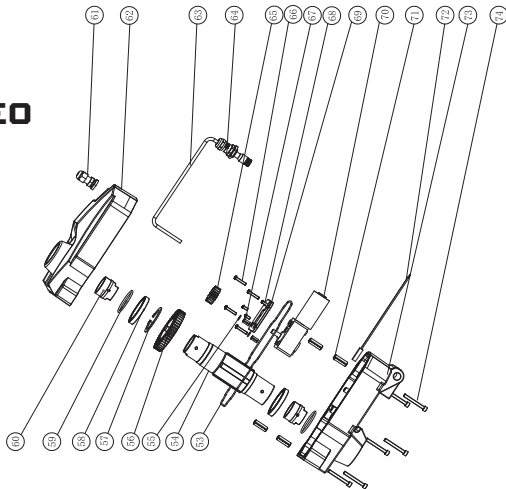
112	HP6.482.001.000	prop nut	1
111	HP6.393.009.8001	prop	1
110	HP8.903.187.000	screw	2
109	HP7.690.001.000	sacrificial anode	1
108	HP8.264.157.000	pin	1
107	HP8.683.049.045	retainer ring	1
106	HP6.475.000.000	sealing ring	2
105	HP8.010.070.158	front cover	1
104	HP8.251.000.000	oil bearing	1
103	HP6.670.107.000	brush frame assy	1
102	HP8.903.060.007	bolt	2
101	HP6.656.021.000	rotor assy	1
100	HP8.926.018.000	connecting screw rod	2
99	HP8.610.049.000	hexagonal washer	2
98	HP8.662.015.000	mini O-sealing ring	2
97	HP6.652.015.002	stator assy	1
96	HP8.662.016.000	o-sealing ring	2
95	HP8.251.001.000	oil bearing	1
94	HP8.010.071.158	back cover	1
93	HP6.260.000.000	thrust bearing	1
92	HP6.789.006.006	remote controller	1
91	HP8.626.198.091	shaft	1
90	HP6.480.014.000	bolt	1
89	HP8.940.313.000	washer	1
88	HP8.242.153.000	right body of depth adjustment collar	1
87	HP8.903.059.000	screw	5
86	HP8.926.045.000	bolt	1
85	HP8.220.378.070	bushing	1
84	HP8.076.337.8006	bottom cover	1
83	HP6.702.141.000	GPS controller	1
82	HP8.683.137.000	sealing ring	1
81	HP8.076.336.8005	top cover	1
80	HP8.662.083.000	sealing ring	1
79	HP6.482.000.000	lock nut	1
78	HP8.354.019.000	cable fixing head	1
77	HP8.264.468.000	pin	1
76	HP8.242.152.000	left body of depth adjustment collar	1
75	HP8.379.073.000	nut	1
No.	DRAWING NO.	PART NAME	Q'TY

**TO ORDER
YOUR WATERSNAKE
STEALTH PARTS, VISIT:
www.anglerscentral.com.au**

SCHEMATICS AND PARTS LIST



55320 WATERSNAKE GEO SPOT 80LB / 72" MODEL

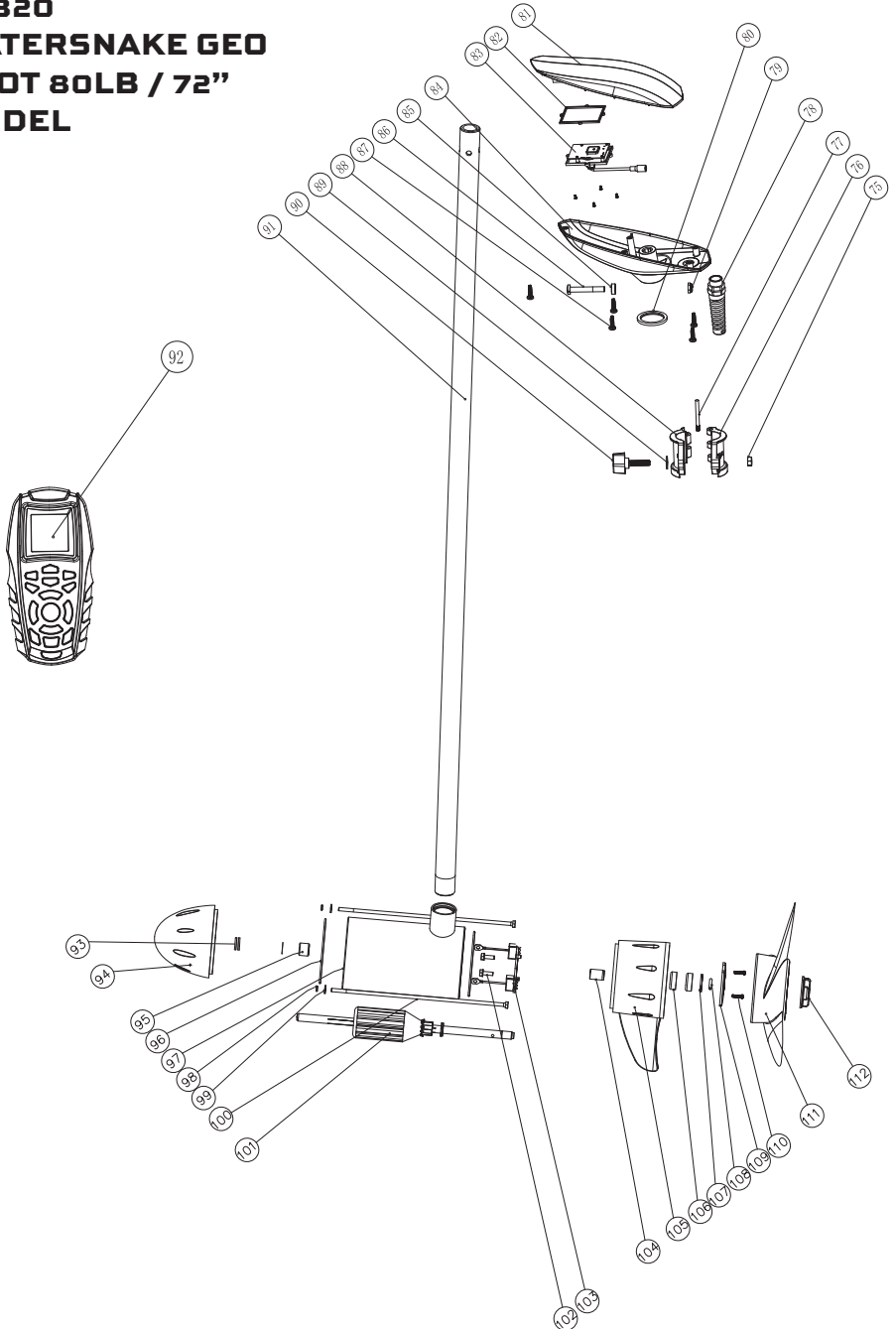


**TO ORDER
YOUR WATERSNAKE
STEALTH PARTS, VISIT:
www.anglerscentral.com.au**

				PART NO.			
51	HP6. 154. 021. 000					Right movable plate assembly	1
50	HP8. 902. 198. 000					Screw	2
49	HP8. 611. 221. 000					Fixed frame	1
48	HP8. 354. 019. 000					Cable gland	1
47	HP8. 601. 093. 024					Bottom plate	1
46	HP8. 223. 124. 000					bushing	2
45	HP8. 667. 044. 000					Securing clip	1
44	HP8. 383. 127. 000					Left torsion spring	1
43	HP6. 201. 047. 000					Right link assembly	1
42	HP8. 902. 017. 000					screw	3
41	HP8. 610. 193. 000					Pressure plate	1
40	HP8. 902. 201. 045					Screw M3X8	4
39	HP8. 335. 002. 000					pedal	1
38	HP8. 010. 146. 8004					The front cover	1
37	HP8. 902. 193. 045					Screw	6
36	HP6. 672. 187. 000					Display board assembly	1
35	HP6. 702. 160. 000					Drive controller	1
34	HP8. 902. 024. 000					Screw	3
33	HP6. 647. 252. 000					Power cord assembly	1
32	HP6. 201. 046. 000					Left link assembly	1
31	HP8. 383. 128. 000					Right twist	1
30	HP8. 211. 022. 000					Crank sleeve	2
29	HP6. 176. 032. 008					Left panel assembly	1
28	HP8. 902. 559. 000					Screw	1
27	HP8. 683. 041. 000					Elastic cushion	1
26	HP8. 902. 384. 000					Screw	4
25	HP8. 211. 004. 000					Nested	2
24	HP8. 247. 192. 000					Elastic retaining ring for shaft	2
23	HP8. 941. 373. 000					washer	6
74	HP8. 902. 544. 000	Screw	6	22	HP6. 154. 020. 000	Left movable plate assembly	1
73	HP8. 010. 150. 158	Steering box lower cover	1	21	HP8. 383. 218. 000	Left-handed torsion spring	1
72	HP7. 330. 024. 000	Proximity switch	1	20	HP8. 941. 306. 000	Gasket	2
71	HP8. 264. 817. 000	Elastic cylindrical pin	4	19	HP8. 303. 043. 000	Axis of rotation	1
70	HP6. 714. 032. 000	Steering motor	1	18	HP8. 940. 871. 000	Was	6
69	HP8. 610. 424. 024	Fixed plate	1	17	HP8. 903. 219. 000	Screw	6
68	HP8. 902. 571. 000	Screw	3	16	HP8. 940. 056. 000	Transmission gear washers	2
67	HP8. 264. 818. 000	Elastic cylindrical pin	2	15	HP8. 247. 190. 000	Elastic retaining ring for shaft	2
66	HP8. 902. 199. 045	Screw	4	14	HP6. 647. 308. 000	Spiral component	1
65	HP8. 435. 797. 000	gear	1	13	HP8. 940. 625. 000	Flat Washers	2
64	HP8. 354. 032. 000	Waterproof connector	1	12	HP8. 264. 820. 000	Cylindrical pin	2
63	HP6. 647. 286. 000	4-core assembly	1	11	HP8. 264. 819. 000	pin	4
62	HP8. 010. 151. 158	Steering box upper cover	1	10	HP8. 306. 129. 000	axis	1
61	HP8. 354. 029. 000	Waterproof connector	1	9	HP8. 247. 191. 000	Elastic retaining ring for shaft	2
60	HP8. 210. 450. 000	bushing	2	8	HP8. 223. 123. 000	bushing	2
59	HP8. 662. 145. 000	O-ring	2	7	HP8. 530. 119. 006	magnetic steel	1
58	HP6. 263. 067. 002	Bearing	2	6	HP8. 381. 059. 000	Tension spring	2
57	HP8. 247. 193. 000	Circlip for shaft	1	5	HP8. 245. 214. 000	Brushed damping wheel	6
56	HP8. 415. 193. 000	gear	1	4	HP8. 941. 178. 000	Gasket	1
55	HP8. 940. 673. 000	Flat Washers	2	3	HP8. 383. 219. 000	Right-handed torsion spring	1
54	HP8. 211. 005. 027	casing	1	2	HP8. 220. 494. 000	Positioning sleeve	2
53	HP8. 662. 175. 000	O-ring	1	1	HP8. 247. 172. 000	Circlip	4
52	HP6. 176. 033. 008	Right side panel assembly	1	NO.	DRAWING NO.	PART NAME	QTY

SCHEMATICS AND PARTS LIST

55320
WATERSNAKE GEO
SPOT 80LB / 72"
MODEL

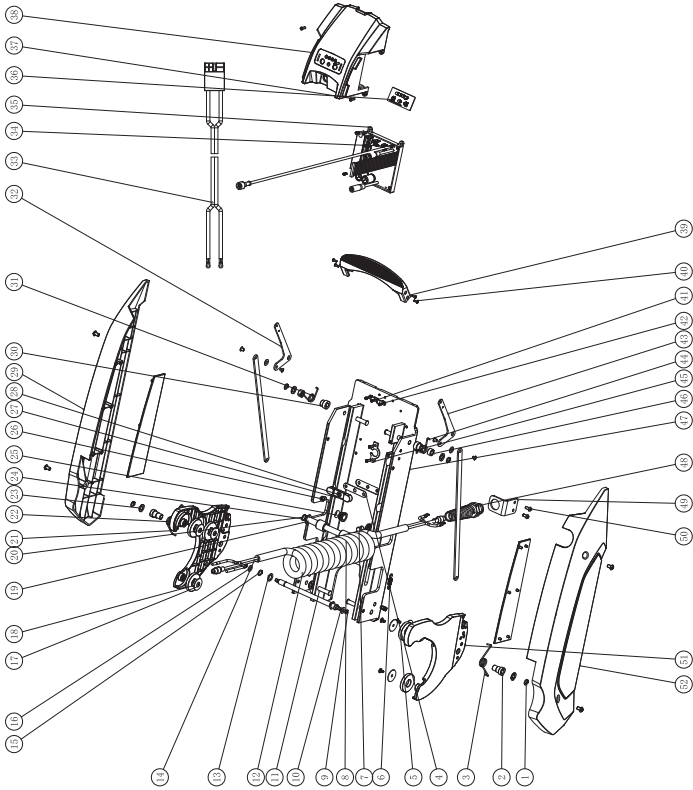


PART NO.

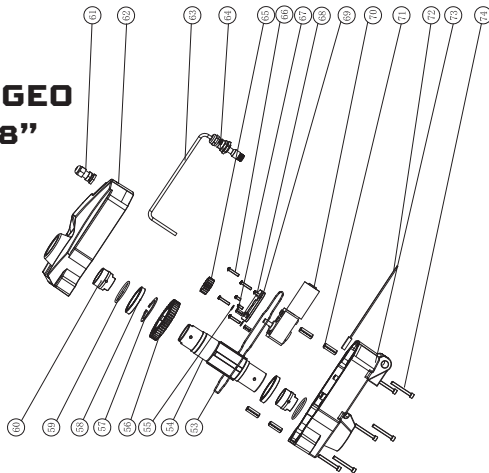
112	HP6.482.001.000	prop nut	1
111	HP6.393.009.8001	prop	1
110	HP8.903.187.000	screw	2
109	HP7.690.001.000	sacrificial anode	1
108	HP8.264.157.000	pin	1
107	HP8.683.049.045	retainer ring	1
106	HP6.475.000.000	sealing ring	2
105	HP8.010.070.158	front cover	1
104	HP8.251.000.000	oil bearing	1
103	HP6.670.115.000	brush frame assy	1
102	HP8.903.060.007	bolt	2
101	HP6.656.021.000	rotor assy	1
100	HP8.926.018.000	connecting screw rod	2
99	HP8.610.049.000	hexagonal washer	2
98	HP8.662.015.000	mini O-sealing ring	2
97	HP6.652.015.002	stator assy	1
96	HP8.662.016.000	o-sealing ring	2
95	HP8.251.001.000	oil bearing	1
94	HP8.010.071.158	back cover	1
93	HP6.260.000.000	thrust bearing	1
92	HP6.789.006.006	remote controller	1
91	HP8.626.200.091	shaft	1
90	HP6.480.014.000	bolt	1
89	HP8.940.313.000	washer	1
88	HP8.242.153.000	right body of depth adjustment collar	1
87	HP8.903.059.000	screw	5
86	HP8.926.045.000	bolt	1
85	HP8.220.378.070	bushing	1
84	HP8.076.337.8006	bottom cover	1
83	HP6.702.141.000	GPS controller	1
82	HP8.683.137.000	sealing ring	1
81	HP8.076.336.8005	top cover	1
80	HP8.662.083.000	sealing ring	1
79	HP6.482.000.000	lock nut	1
78	HP8.354.019.000	cable fixing head	1
77	HP8.264.468.000	pin	1
76	HP8.242.152.000	left body of depth adjustment collar	1
75	HP8.379.073.000	nut	1
No.	DRAWING NO.	PART NAME	Q'TY

**TO ORDER
YOUR WATERSNAKE
STEALTH PARTS, VISIT:
www.anglerscentral.com.au**

SCHEMATICS AND PARTS LIST



**55321
WATERSNAKE GEO
SPOT 80LB / 78"
MODEL**



PART NO.

51	HP6. 154. 021. 000	Right movable plate assembly	1
50	HP8. 902. 198. 000	Screw	2
49	HP8. 611. 221. 000	Fixed frame	1
48	HP8. 354. 019. 000	Cable gland	1
47	HP8. 601. 093. 024	Bottom plate	1
46	HP8. 223. 124. 000	bushing	2
45	HP8. 667. 044. 000	Securing clip	1
44	HP8. 383. 127. 000	Left torsion spring	1
43	HP6. 201. 047. 000	Right link assembly	1
42	HP8. 902. 017. 000	screw	3
41	HP8. 610. 193. 000	Pressure plate	1
40	HP8. 902. 201. 045	Screw M3X8	4
39	HP8. 335. 002. 000	pedal	1
38	HP8. 010. 146. 8003	The front cover	1
37	HP8. 902. 193. 045	Screw	6
36	HP6. 672. 187. 000	Display board assembly	1
35	HP6. 702. 160. 000	Drive controller	1
34	HP8. 902. 024. 000	Screw	3
33	HP6. 647. 252. 000	Power cord assembly	1
32	HP6. 201. 046. 000	Left link assembly	1
31	HP8. 383. 128. 000	Right twist	1
30	HP8. 211. 022. 000	Crank sleeve	2
29	HP6. 176. 032. 008	Left panel assembly	1
28	HP8. 902. 559. 000	Screw	1
27	HP8. 683. 041. 000	Elastic cushion	1
26	HP8. 902. 384. 000	Screw	4
25	HP8. 211. 004. 000	Nested	2
24	HP8. 247. 192. 000	Elastic retaining ring for shaft	2
23	HP8. 941. 373. 000	washer	6

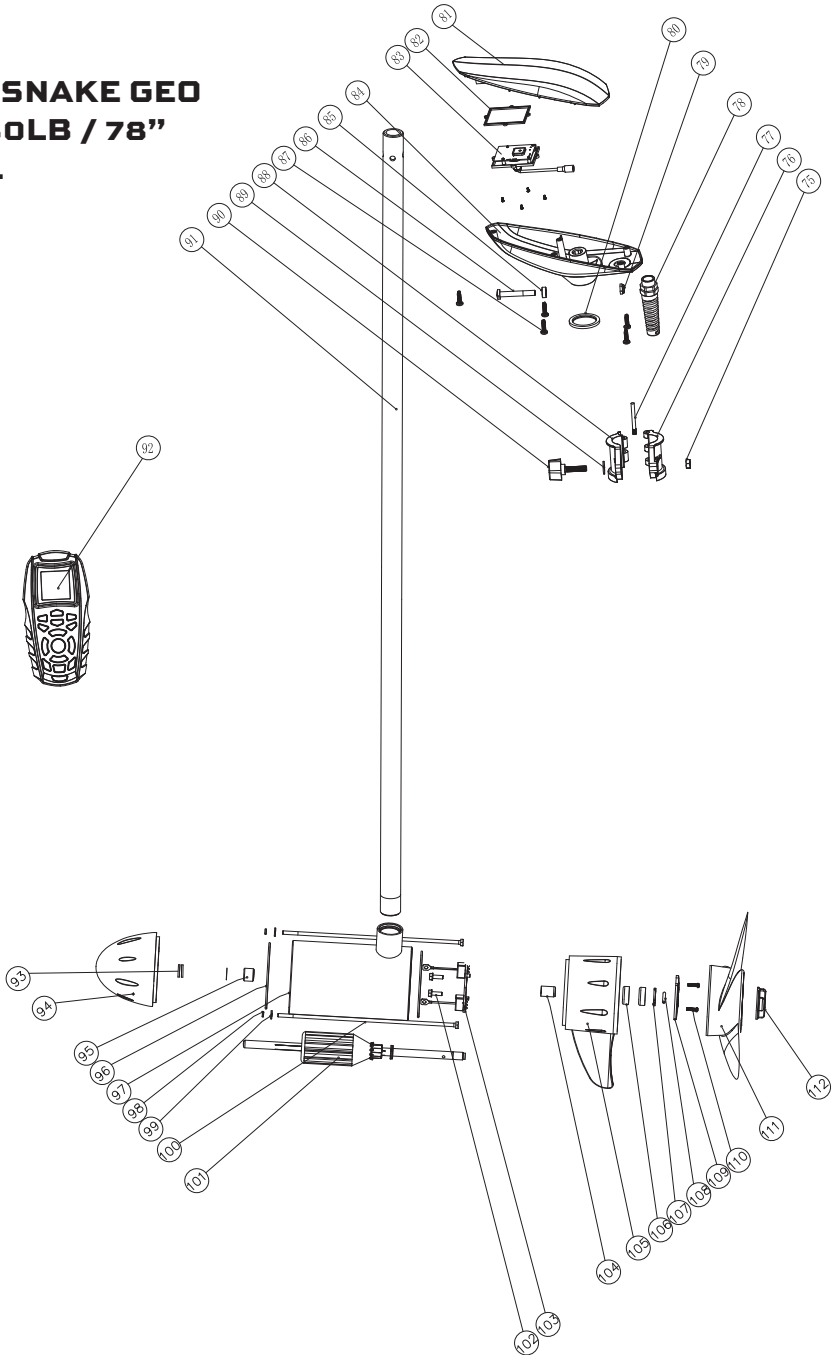
**TO ORDER
YOUR WATERSNAKE
STEALTH PARTS, VISIT:
www.anglerscentral.com.au**

PART NO.

74	HP8. 902. 544. 000	Screw	6	22	HP6. 154. 020. 000	Left movable plate assembly	1
73	HP8. 010. 150. 158	Steering box lower cover	1	21	HP8. 383. 218. 000	Left-handed torsion spring	1
72	HP7. 330. 024. 000	Proximity switch	1	20	HP8. 941. 306. 000	Gasket	2
71	HP8. 264. 817. 000	Elastic cylindrical pin	4	19	HP8. 303. 043. 000	Axis of rotation	1
70	HP6. 714. 032. 000	Steering motor	1	18	HP8. 940. 871. 000	Was	6
69	HP8. 610. 424. 024	Fixed plate	1	17	HP8. 903. 219. 000	Screw	6
68	HP8. 902. 571. 000	Screw	3	16	HP8. 940. 056. 000	Transmission gear washers	2
67	HP8. 264. 818. 000	Elastic cylindrical pin	2	15	HP8. 247. 190. 000	Elastic retaining ring for shaft	2
66	HP8. 902. 199. 045	Screw	4	14	HP6. 647. 308. 000	Spiral component	1
65	HP8. 435. 797. 000	gear	1	13	HP8. 940. 625. 000	Flat Washers	2
64	HP8. 354. 032. 000	Waterproof connector	1	12	HP8. 264. 820. 000	Cylindrical pin	2
63	HP6. 647. 286. 000	4-core assembly	1	11	HP8. 264. 819. 000	pin	4
62	HP8. 010. 151. 158	Steering box upper cover	1	10	HP8. 306. 129. 000	axis	1
61	HP8. 354. 029. 000	Waterproof connector	1	9	HP8. 247. 191. 000	Elastic retaining ring for shaft	2
60	HP8. 210. 450. 000	bushing	2	8	HP8. 223. 123. 000	bushing	2
59	HP8. 662. 145. 000	O-ring	2	7	HP8. 530. 119. 006	magnetic steel	1
58	HP6. 263. 067. 002	Bearing	2	6	HP8. 381. 059. 000	Tension spring	2
57	HP8. 247. 193. 000	Circlip for shaft	1	5	HP8. 245. 214. 000	Brushed damping wheel	6
56	HP8. 415. 193. 000	gear	1	4	HP8. 941. 178. 000	Gasket	1
55	HP8. 940. 673. 000	Flat Washers	2	3	HP8. 383. 219. 000	Right-handed torsion spring	1
54	HP8. 211. 005. 027	casing	1	2	HP8. 220. 494. 000	Positioning sleeve	2
53	HP8. 662. 175. 000	O-ring	1	1	HP8. 247. 172. 000	Circlip	4
52	HP6. 176. 033. 008	Right side panel assembly	1	NO.	DRAWING NO.	PART NAME	QTY

SCHEMATICS AND PARTS LIST

**55321
WATERSNAKE GEO
SPOT 80LB / 78"
MODEL**



**TO ORDER
YOUR WATERSNAKE
STEALTH PARTS, VISIT:
www.anglerscentral.com.au**

PART NO.

112	HP6.482.001.000	prop nut	1
111	HP6.393.009.8001	prop	1
110	HP8.903.187.000	screw	2
109	HP7.690.001.000	sacrificial anode	1
108	HP8.264.157.000	pin	1
107	HP8.683.049.045	retainer ring	1
106	HP6.475.000.000	sealing ring	2
105	HP8.010.070.158	front cover	1
104	HP8.251.000.000	oil bearing	1
103	HP6.670.120.000	brush frame assy	1
102	HP8.903.060.007	bolt	2
101	HP6.656.021.000	rotor assy	1
100	HP8.926.018.000	connecting screw rod	2
99	HP8.610.049.000	hexagonal washer	2
98	HP8.662.015.000	mini O-sealing ring	2
97	HP6.652.015.002	stator assy	1
96	HP8.662.016.000	o-sealing ring	2
95	HP8.251.001.000	oil bearing	1
94	HP8.010.071.158	back cover	1
93	HP6.260.000.000	thrust bearing	1
92	HP6.789.006.006	remote controller	1
91	HP8.626.199.091	shaft	1
90	HP6.480.014.000	bolt	1
89	HP8.940.313.000	washer	1
88	HP8.242.153.000	right body of depth adjustment collar	1
87	HP8.903.059.000	screw	5
86	HP8.926.045.000	bolt	1
85	HP8.220.378.070	bushing	1
84	HP8.076.337.8006	bottom cover	1
83	HP6.702.141.000	GPS controller	1
82	HP8.683.137.000	sealing ring	1
81	HP8.076.336.8005	top cover	1
80	HP8.662.083.000	sealing ring	1
79	HP6.482.000.000	lock nut	1
78	HP8.354.019.000	cable fixing head	1
77	HP8.264.468.000	pin	1
76	HP8.242.152.000	left body of depth adjustment collar	1
75	HP8.379.073.000	nut	1
No.	DRAWING NO.	PART NAME	QTY